

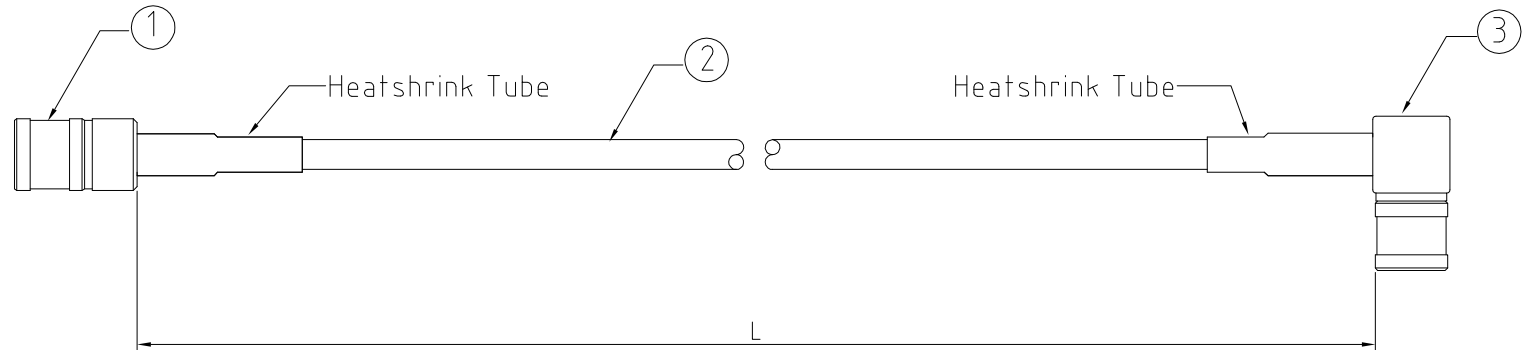
CABLE 110 RF: RF CABLE ASSEMBLY, SMB STRAIGHT PLUG + RG174 CABLE + SMB RIGHT ANGLE PLUG - 6GHz

SPECIFICATIONS :

1. SMB STRAIGHT PLUG (C03AA3F174003)
2. RG174 COAXIAL CABLE, BLACK
3. SMB RIGHT ANGLE PLUG (C03BA3F174001)

NOTES:

1. WORKING FREQUENCY RANGE: DC-6GHz.



HOW TO ORDER

CABLE 110 RF - XXXX - 0

"L" LENGTH IN MM

eg: 100MM = 0100

(MIN. = 0050, MAX. = 2000

STANDARD = 0100, 0150, 0200)

Tolerance: <50mm : ±2mm.

51-200mm: ±5mm.

201-500mm: ±7mm.

>501mm: ±10mm.

REV. DATE & DRN
10 18/03/11 - NYW RELEASE
11 31/10/11 - NYW
ADD NOTE 1.

Scale: NTS	THIRD ANGLE	Unstated X .XX .XXX ANGLES	Tolerances: ±0.2 ±0.1 ±0.05 ±5	Material SEE NOTE
Drawn: NYW				
App'd: XXX	Title CABLE ASSEMBLY	NOT TO SCALE		
Date: 31 OCT '11	Revision: 1.1	Unit: mm		



www.gradconn.com

© THIS DRAWING IS CONFIDENTIAL AND MUST NOT BE COPIED OR DISCLOSED WITHOUT WRITTEN CONSENT

Type: Cable 110 RF
CABLE 110 RF
Drawing Number:
Sheet 1 of 1
Drawing © E and O E